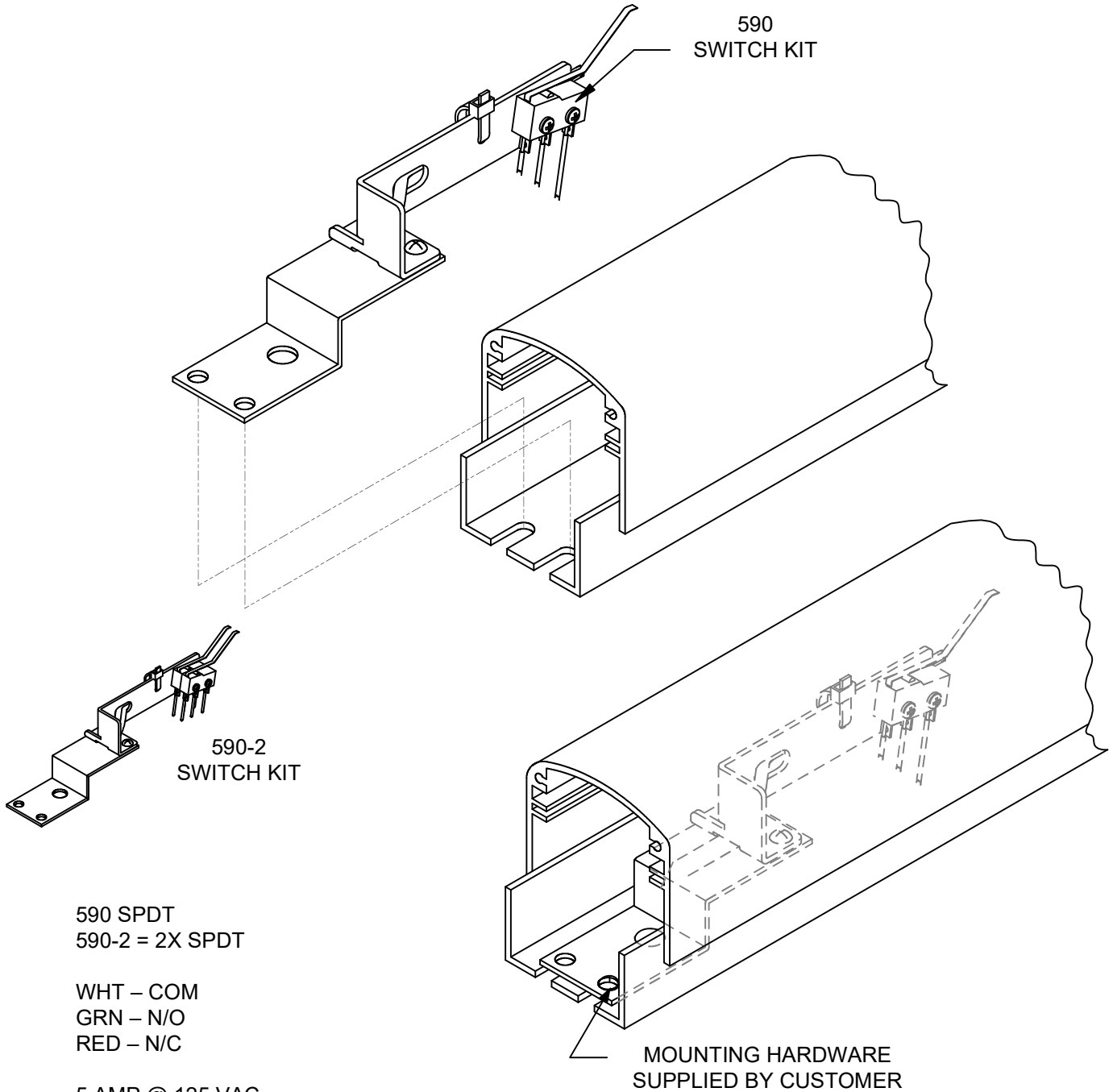




# INSTALLATION INSTRUCTIONS

## 590 MONITORING SWITCH KIT DOR-O-MATIC 1690 SERIES



590 SPDT  
590-2 = 2X SPDT

WHT – COM  
GRN – N/O  
RED – N/C

5 AMP @ 125 VAC  
RESISTIVE